



## MODEL 2406 SEQUENCER

... Provides sequencing, cascading and/or paralleling of many pumps.

### FEATURES

- Front of panel switches provide easy setup of sequencing.
- Reliable...conservatively designed solid state control circuitry and isolated output circuits assure long operating life. Inputs are optically isolated from the 2406 electronics.
- Field selectable operation for filling or emptying.
- Long life LED's for input and output indication.
- Multiple units may be cascaded and/or paralleled to allow for control of more devices and/or levels.

### DESCRIPTION

The Essex Engineering Model 2406 is a simple, yet reliable unit designed to offer the maximum of versatility in sequencing the operation of pumps or other operating devices.

The 2406 is easy to set up for any desired sequence in the operation of up to four devices, with four levels of operation available for each device. As levels increase, or decrease, all of the previous level outputs are de-activated. Simply observe the last level LED which is on, follow the row of switches to the right and observe which units are on.

Long life LED's on the front panel provide readily visible indication of the status of each pump and level.

Up to four standard Model 2406 Sequencers may be connected together in series or parallel (or a combination of both), to provide for control of up to 16 devices at four



levels, or four devices at 16 levels, or 8 devices at 8 levels. Special configurations are available; consult factory.

The unit is solidly constructed and uses low Power CMOS Circuitry. It is designed for use in combination with the Essex Engineering Corporation Model 2410 Pump Controller, although it can be used with float switches, controllers, etc. of other manufactures.

Technical details are shown on the reverse side of this bulletin.

## ELECTRICAL CONNECTIONS

## MODEL 2406 SPECIFICATIONS

**AMBIENT OPERATING TEMPERATURE RANGE**  
0 to 40 °C

### POWER INPUT

120 VAC  $\pm$  10% 15W max.  
24 VDC  $\pm$  10% 650 mADC max.  
12 VDC  $\pm$  10% 1200 mADC max.

### CONTROL INPUTS

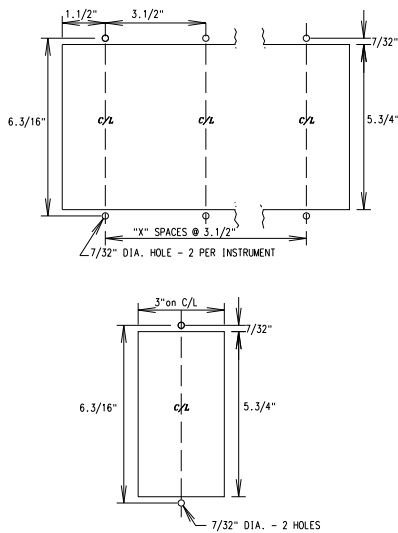
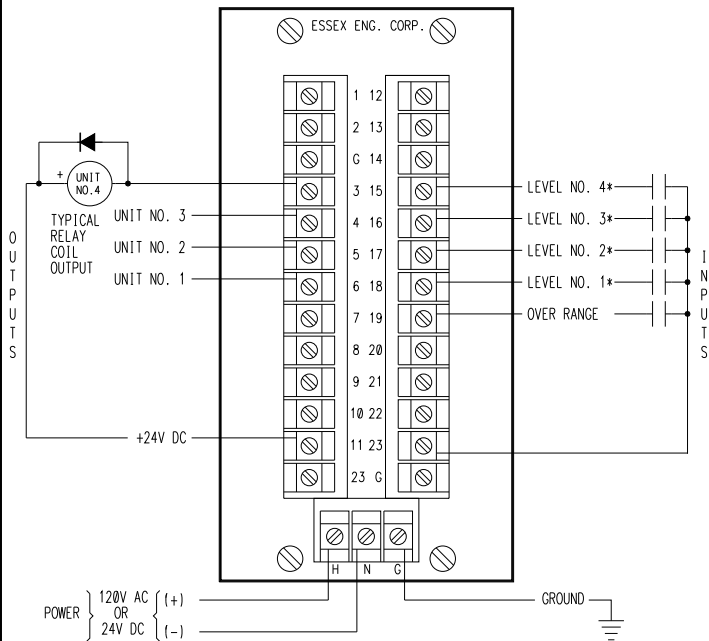
Contact closure or NPN transistor; 10 mADC max. @ 24 VDC

### CONTROL OUTPUTS

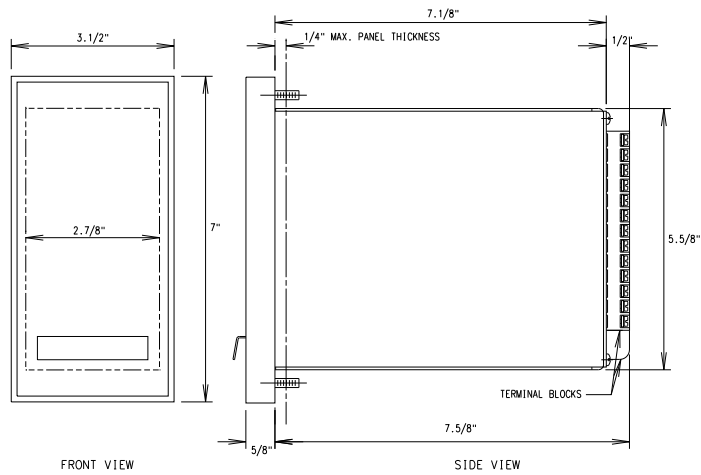
NPN solid state output; 50 VDC @ 60 mADC max.  
per point; 4 outputs for unit operation; 1 output for cascade  
operation

### INDICATORS

Level Output - amber LED  
Control Output - red LED



**CUTOUT DIMENSIONS**



**OVERALL DIMENSIONS**

**REPRESENTED BY**



**ESSEX ENGINEERING CORPORATION**

21 Industrial Drive • Ivyland, PA 18974 • 215-322-5880 • FAX 215-322-8368 • www.essexeng.com