



## MODEL 2415 MANUAL LOADING STATION

... Utilizes analog signals to provide automatic or manual control of various devices.

### FEATURES

- 3<sup>1</sup>/<sub>2</sub> digit LED display provides large, easy to read digital indication of process.
- Digital readout of process variable in engineering units or 0 to 100.0%.
- Ten turn potentiometer provides fine tuning of manual set point.
- AUTO/MANUAL push button with "READ" push button provides for a manual bumpless transfer.
- Isolated 4 to 20 mADC output.
- Available for use with 120 VAC, 12 or 24 VDC power.

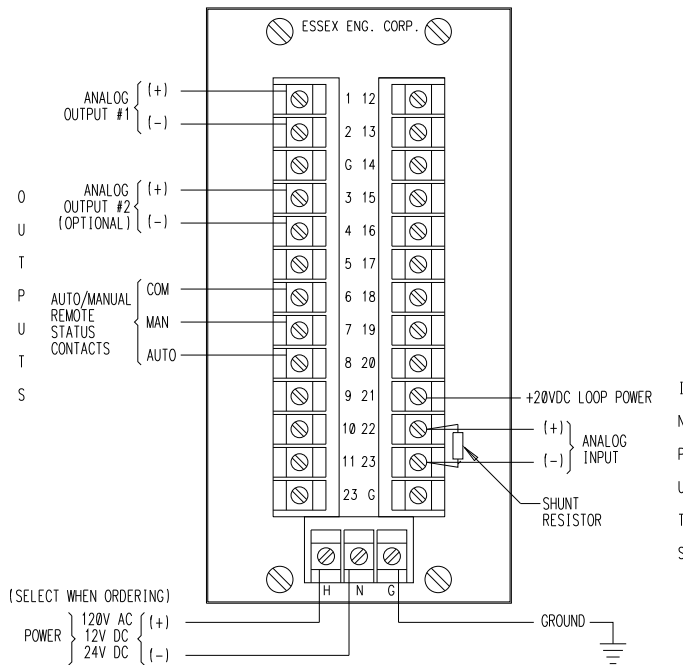
### DESCRIPTION

The Essex Model 2415 Manual Loading Station is a conservatively designed, reliable unit that provides a 4 to 20 mADC output which is directly proportional to a voltage or current input. When in the AUTOMATIC mode, the output is directly proportional to the input, and the digital display will indicate the AUTO input signal. While in the AUTOMATIC mode, when the READ button is depressed, the digital display will then indicate the MANUAL value. By manipulating the SET potentiometer the MANUAL value can be made to equal the previously noted AUTO input signal, thereby providing a "bumpless" transfer.



Conversely, when in the MANUAL mode, the digital display indicates the manual set point. By depressing the READ button, the digital display will show the AUTO input signal. By releasing the button and adjusting the SET potentiometer, the MANUAL signal can be made to equal the previously noted AUTO signal. Therefore, when going from or to AUTO or MANUAL operation, bumpless transfer can be achieved.

## ELECTRICAL CONNECTIONS



## MODEL 2415 SPECIFICATIONS

**AMBIENT OPERATING TEMPERATURE RANGE**  
0 to 50 °C

### POWER INPUT

120 VAC  $\pm$  10% 15W max.  
24 VDC  $\pm$  10% 650 mADC max.  
12 VDC  $\pm$  10% 1200 mADC max.

### CONTROL INPUT IMPEDANCE

1 TO 5 VDC = 1 megohm  
4 to 20 mA DC = 250 ohm

### CONTROL OUTPUT

4 to 20 mADC isolated @ 0-800 ohm load

### INDICATOR

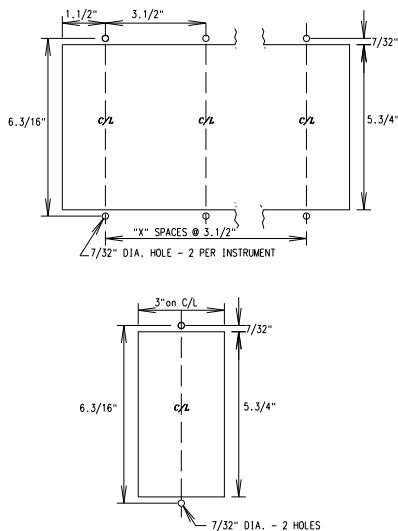
3-1/2 digit, 0.56" LED type display

### REPEATABILITY AND ACCURACY

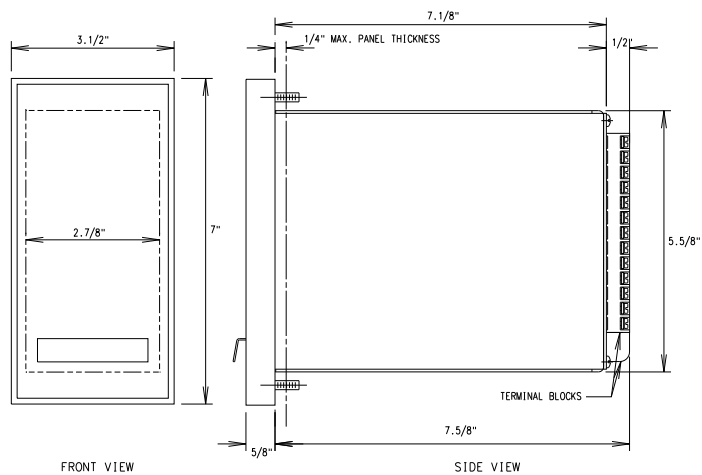
0.2% of span  $\pm$  1 digit

### AVAILABLE OPTION

The Model 2415 can be provided as a manual unit only, without the READ button and AUTO/MANUAL switch. It merely provides a 4 to 20 mADC output signal.



**CUTOUT DIMENSIONS**



**OVERALL DIMENSIONS**

**REPRESENTED BY**



**ESSEX ENGINEERING CORPORATION**

21 Industrial Drive • Ivyland, PA 18974 • 215-322-5880 • FAX 215-322-8368 • www.essexeng.com